

Hexatronic Toby Box Range





Original Toby
D250



Toby D285



Optimal
Toby SQ21

Hexatronic Toby Box Range

Hexatronic Toby Box is a universal access surface box which has been developed to improve the customer connection phase. The Toby Box range can provide multiple ways to suit your application providing a secure route to the customer boundary without the need to dig extension ducts.

The Range

The Hexatronic Toby range offers a variety of options to suit any specific requirements of your network build. Whether your application is shallow or deep the range has been designed to allow a versatile platform to provide a reliable future proof solution, providing a safe and secure location for FTTH customer demarcation.

Design

The Hexatronic Toby boxes are made with durable black Polypropylene and have 'knock out' extension ports incorporated to maintain product integrity if unused.

The whole Toby range is compatible with the Toby box base and lids, which can be custom branded.

Applications

To give network access at the closest possible point of the subscriber without the need for additional permissions and create a true homes passed network deployment.

The Toby Boxes give quick access to the edge of your network when connecting subscribers and can be used as a pass through point or to house connectivity.



[Website / Datasheet](#)



Toby Box SQ21

The Hexatronic Toby Box SQ21 is the latest underground subscriber chamber, a direct result of 17 years of evolution driven by 2 million live deployments. Installed during the network build phase, the Toby Box provides a safe and secure location for FTTH customer demarcation.

Features

- Compatible with 54mm duct & microducts
- Maximum internal space for housing connectivity
- Includes 3x 25mm extension ports
- Self-draining anti-slip surface, Grade C tread depth
- Exceeds BS 5384-2 Grade C load bearing requirements
- Suitable for narrow trenching
- 285mm Depth with internal rodding/radius bend
- Can be embossed, for logo or wording

Design

The enhanced under-module design supports the use of our market leading range of microducts up to 25mm Ø as standard. Additionally, the input port carries a drilling guide for use with 54mm Ø PVC ducts.

Internally, the under-module includes microduct radius management & anchoring points to encourage 'best practice' deployments.

On the rear of the under-module (customer side) 3x 25mm Ø ports can be found to support the deployment of 25mm flexible duct, allowing the user to install a protective extension tube from the Toby to the customer boundary where underground obstructions are present. This allows for quicker access on connection.

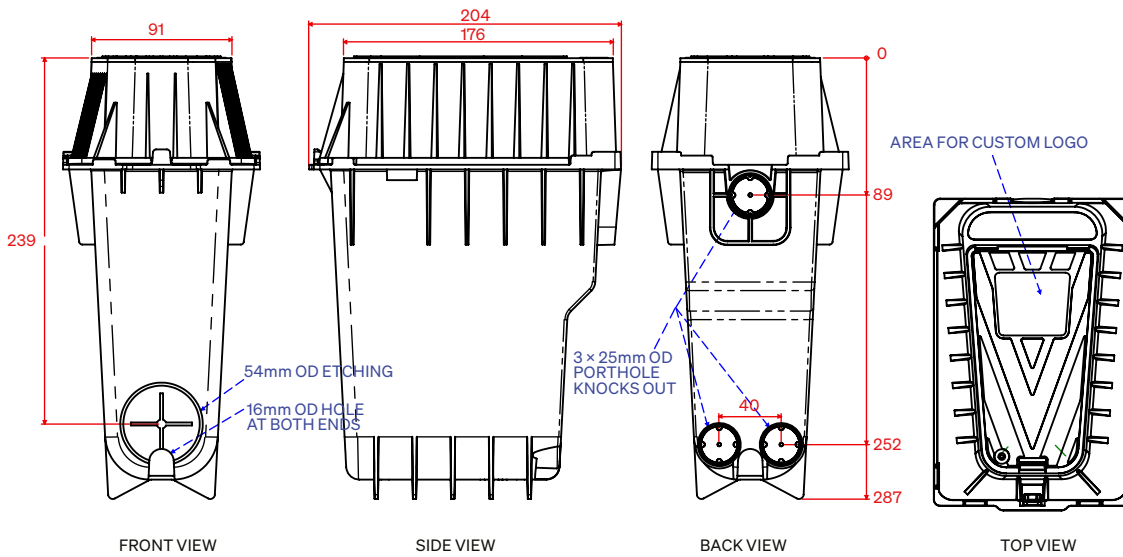
All extension ports contain a 'knock-out' blank to maintain product integrity if unused.

The optimized footprint of the under-module also enables greater packing density of products, reducing packaging requirements and thereby supporting Hexatronic's global strategy for sustainable operations.

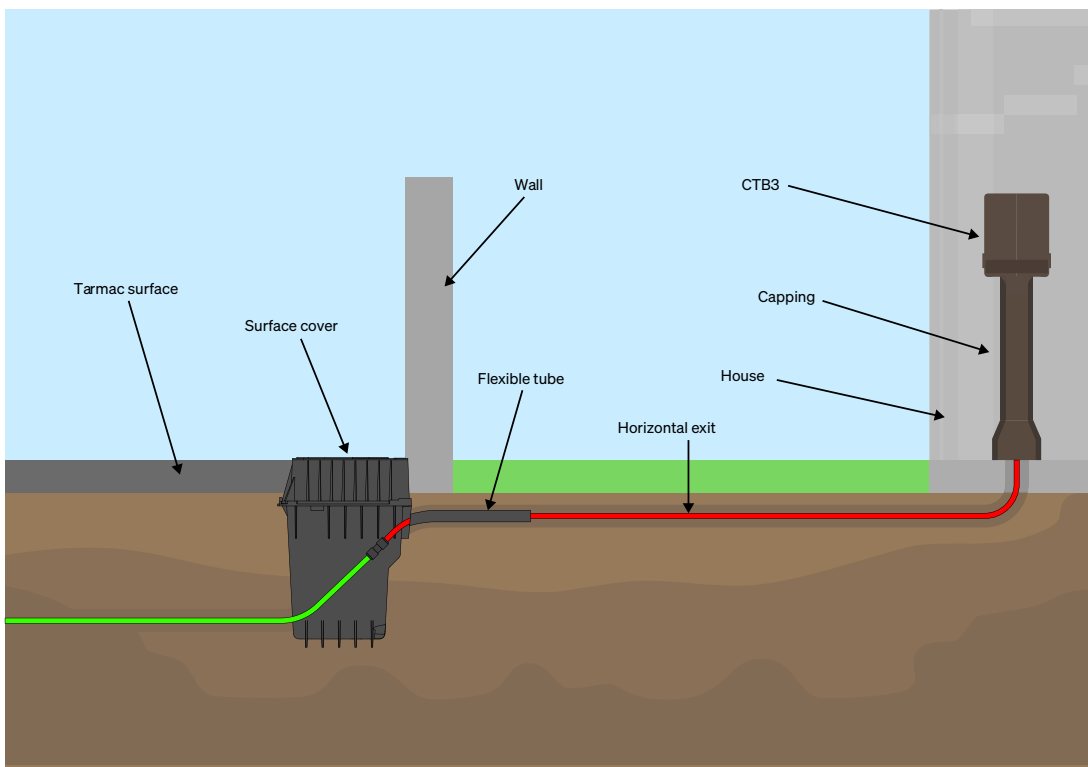
25mm Ø extension tubes are available separately to support Toby 'extension' at the boundary when needed.



Part number	Description
HSBX-TBY-BOX-SQ21	TOBY BOX Assembly - Large UG storage capacity - 25mm Exit Ports
25MM-FLEX-PP-BLK	10m flexible tube 25mm Dia
25MM-TMP-BL	25mm Temporary End Cap



Toby Box SQ21 - Application Example



Toby Box D285mm

The Hexatronic Toby Box D285 is our second generation underground subscriber chamber. Installed during the network build phase, the Toby Box provides a safe and secure location for FTTH customer demarcation. This product was designed to allow us to reduce the footprint of the product in shipping due to the base being stackable whilst meeting our sustainability goals. The design also allows 54mm PVC ducts to run both in and out of the base allowing our customers to use traditional duct networks builds.

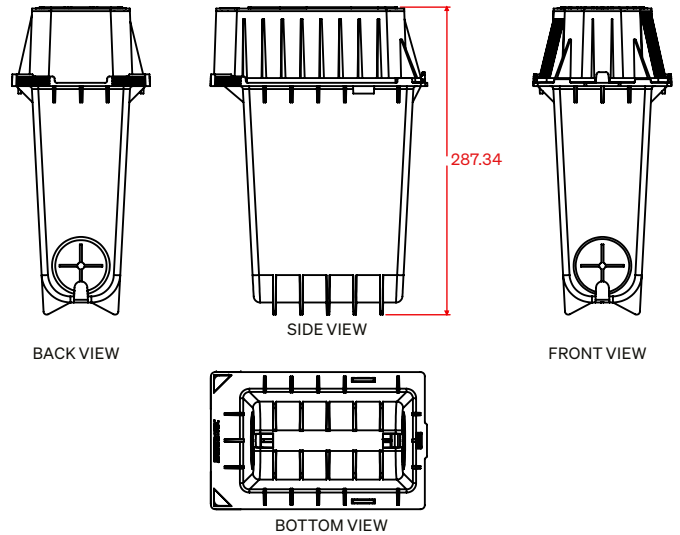
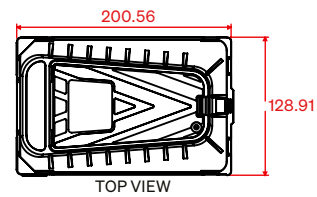
Features

- Narrow footprint for narrow trenching.
- Maximum internal space for housing connectivity
- 285mm Depth with internal rodding/radius bend
- Self-draining anti-slip surface, Grade C tread depth.
- Load bearing, exceeds Grade C.
- Snap close lid, with provision for security screw fixing.
- Can be embossed, for logo or wording.
- Compatible with 54mm duct & microducts

Design

The Hexatronic 285mm Toby Box is a product installed during the network build phase, offering a safe and secure location for FTTH customer demarcation.

The Toby Box 285mm can be used as a connection point for Microduct Links. Minimizing the effort and investment required to convert a network from homes passed to Homes Connected.



Part number	Description
TBY-SQ-D285	Toby Box D285mm

Toby Box 250mm

Our original Toby Box 250mm was designed to offer operators a universal modular chamber for housing subscriber terminations at customer demarcations. The Toby Box 250mm can be used as a connection point for Microduct Links. Minimizing the effort and investment required to convert a network from homes passed to Homes Connected.

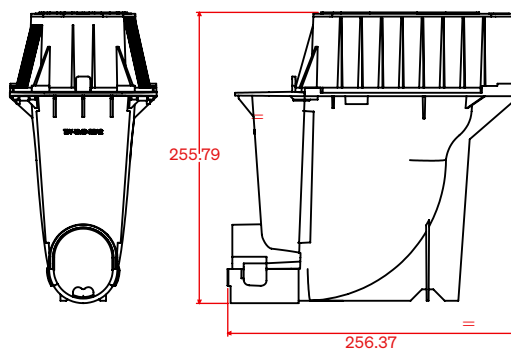
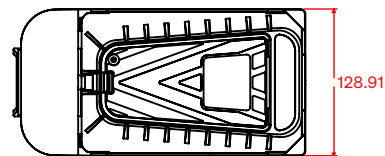
Features

- Self-draining anti-slip surface, Grade C tread depth.
- Load bearing, exceeds Grade C.
- Snap close lid, with provision for security screw fixing.
- Can be embossed, for logo or wording.
- 250mm depth Hand Hole
- Narrow Footprint - Optimised for Narrow trenching
- 250mm Depth with radius optimised for Microduct routing
- Cost Effective
- Modular Construction
- Simple to Install
- Up to 2x Microduct Couplers (2 Subscribers)



Design

Optimal demarcation depth.
Recycled and recyclable PP.



Part number	Description
TBY-BOX-BLANK-ASSY	Toby Box 250mm

Toby Box - UMD Shallow Access - Vertical Assembly

Features

- Narrow Footprint—Optimised for Narrow trenching
- 250mm Depth with radius optimised for Microduct routing
- Cost Effective
- Modular Construction
- Simple to Install
- High Load Bearing Strength
- Up to 2x Microduct Couplers (2 Subscribers)
- Capable of housing Optical connectivity demarcations

Design

Designed to offer operators a universal modular chamber for housing Subscriber terminations at customer demarcations.

The Underground Chamber can be used as a connection point for Microduct Links. Minimizing the effort and investment required to convert a network from homes passed to Homes Connected.



Part number	Description
TBY-VERT-ASSY	Shallow Toby Vertical Assembly

Toby Box Carriageway System

The Toby Carriageway System is a combination of two elements - a ductile iron surface box and stackable chamber rings. Combined, the system is designed to give roadside access to Fibre to the Home Drop ducts when the footpath is congested or when the footpath does not exist, such as in rural areas.

Features

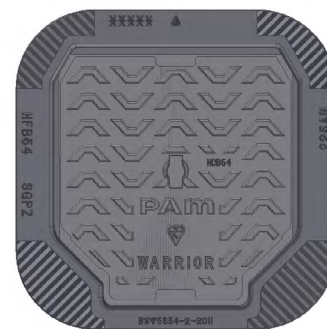
- Heavy duty
- Easy installation
- Custom branded lid option is available upon request
- Can be installed offset or directly against the kerb
- Removes the need to slot cut through kerb
- Radical raised chequer design with independently verified skid and slip resistance values
- Sections are stackable to increase depth of bury



Design

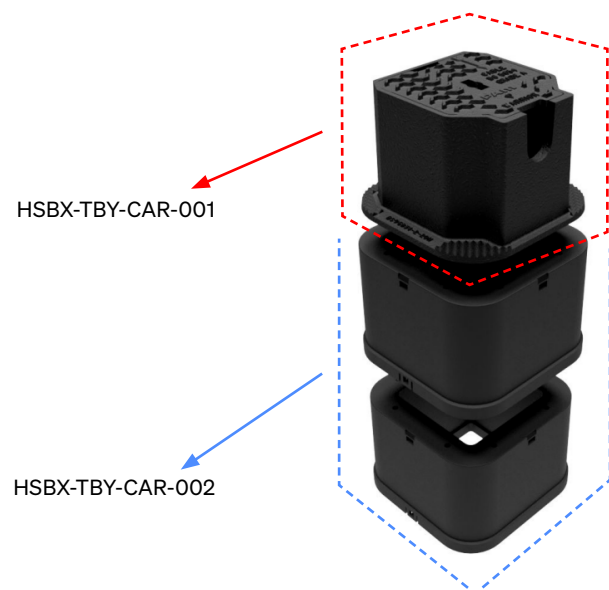
Toby Carriageway Surface box

This is the top of the system, manufactured from ductile iron to BSEN 1563:2011, making it ideal for EN124 carriageway Group 4 installations. Featuring a slot and core it is used for demarcation into the carriageway adjacent to, or offset from, the kerb edge. Approved and tested to BS5834 Grade A, third party certified by BSI and kite marked. Custom branding is available upon request.



Toby Carriageway Joint box

Comprising of three parts: 2 x riser rings and 1 x floor base. Manufactured with recycled polypropylene the rings provide a strong undermodule for the ductile iron surface box.



Part number	Description
HSBX-TBY-CAR-001	Toby Carriageway Surface Box—Ductile Iron 150×150×150mm
HSBX-TBY-CAR-002	Toby Carriageway Joint Box

Toby Stack

Designed for full compatibility with the Hexatronic Toby range, the Toby Stack extends under modules both upwards and side-by-side. This innovative design offers endless options for diverse applications

Features

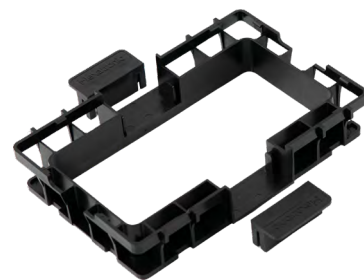
- Variable depth options to locate deeper networks
- Stackable to create a deeper chamber
- PP – Recycled Material
- Compatible with full Hexatronic Toby range
- UK Design and Manufacture
- Two clips included for bridging two Toby boxes side by side
- Additional accessories available for custom applications

Applications

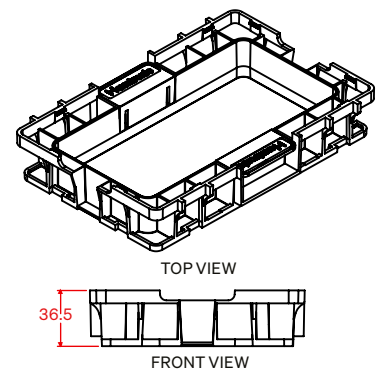
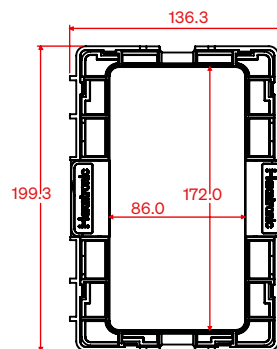
- Height adjustment for existing Toby boxes
- Stackable micro chamber
- Bridge link between Toby Boxes
- To create buried applications
- Additional base options

Design

The Stacker allows the under modules to be extended upwards and side by side. Two clips, included, help to secure the bridge when two or more are required to be placed next to one another. Can be stacked to create a micro chamber for shallow applications when there are space limitations.



Video



Part number

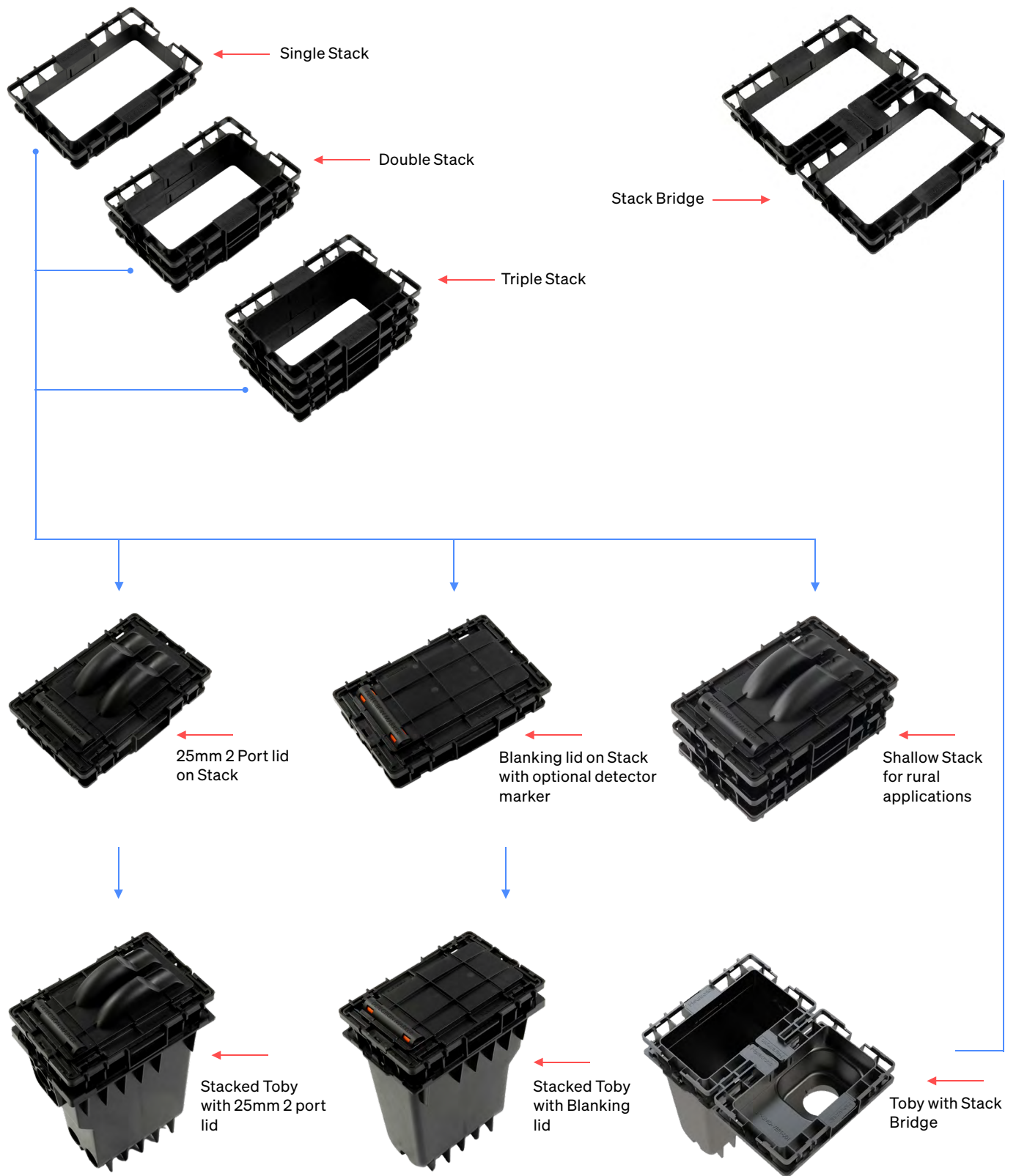
Description

TBY-UMD-STACK

Toby UMD Stack including 2 clips

Toby Undermodule - Stack Examples

The Toby Under Module can be joint together in various different ways to suit your network.



Marker Peg, Horizontal - 'Carrot'

Features

- Horizontal RF marker for direct buried installation
- Standard telecom frequency
- Detection range up to 2m
- Compatible with our Toby 2 Port Lid and Blanking Plate

Design

The marker peg is used to find microduct ends, splices, cable coils or other network elements that needs to be easily found.

The marker peg is normally installed horizontally into the ground but can be used both vertically as a stand-alone product for OEM built-in applications.

Detection is carried out with standard frequency of 101,4 kHz.

The marker peg consist of a hard plastic case. Inside the case, a reflector coils is mounted that reflects RF signals of 101,4 kHz. The reflector coil is sealed by the outer case and a silicone filling compound.



Part number	Description
MPB32050/1	"Carrot" - Marker Peg Horizontal, Telecom 101,4kHz Orange

Custom branding
available.



Toby Range Specification

Picture	Part number	Product
	TBY-BOX-SQ21	Toby Box SQ21 - 25mm Exit Ports
	25MM-FLEX-PP-BLK	10m flexible tube - 25mm dia
	25MM-TMP-BL	25mm Temporary End Cap (qty 1)
	TBY-SQ-D285	Toby Box D285mm
	TBY-BOX-BLANK-ASSY	Toby Box 250mm
	TBY-VERT-ASSY	Shallow Toby Vertical Assembly
	HSBX-TBY-CAR-001	Toby Carriageway Surface Box - 150x150x150
	HSBX-TBY-CAR-002	Toby Carriageway Joint Box
	TBY-UMD-STACK	Toby UMD Stack including 2 clips
	TBY-STACK-LID-002	Toby Stack Blanking Plate (carrot not included)
	TBY-STACK-LID-003	2 port lid (carrot not included)
	MPB32050/1	"Carrot" - Marker Peg Horizontal, Telecom 101,4kHz Orange

Compatible products

At Hexatronic, we don't just sell products. We deliver complete fiber optic systems. See below our products to combine with our Toby range:

Recommended Compatible Products



Duct Install Microducts
MPB30x



Microduct Connectors, End Stops and Reducers
NPA10+



8-Way Duct Integrity Tester
DIM-001



Air Blown Fiber Installation Tool
ABF-LTT1792040/7



LM7010 Petrol Compressor
LM7010



Stingray Micro Cable
ABF 2-12 fibers G657A2 TIA598
- Box, cardboard PANs.
KRPM258019



Stingray Micro Cable
ABF 2-12 fibers G657A1 S12 -
Reel
KRPM258/R+AH



1Shot - Duct Integrity Tester
AIR-X-1SHOT-08-50



Blowing Beads
Super-slim brass-end beads for
air blown fibre
NTK102245+



Customer Termination Box 3
CTB-03



External Capping
SQ-CAP



Hex Dome Closures
LHDC-xx/SHDC-xx

Visit our website to see more!
www.hexatronic.com

Hexatronic creates sustainable networks worldwide.
We cooperate with customers on four continents –
from telecom operators to network owners – and offer
leading, high-class fiber solutions for all conceivable
areas of use.

hexatronic.com/en-uk



Revision 1.0